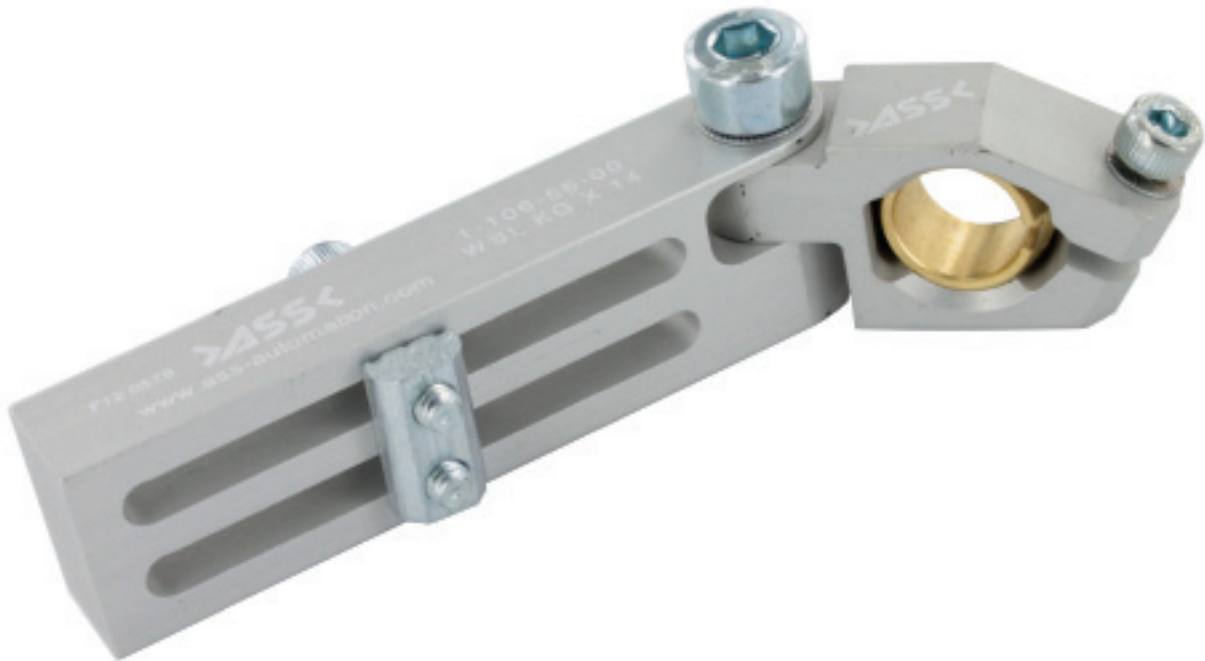


# New

**ASS**  
Automations-Systeme



## WSL KG / Long Angle Clamp with swivel and ball joint

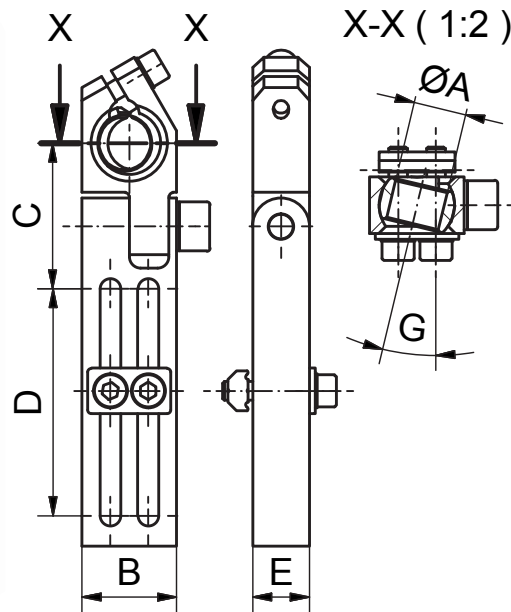
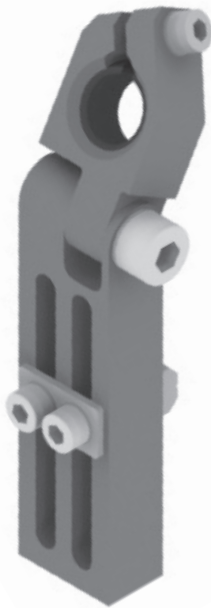
The all new WSL KG angle clamp is probably the most universal clamp on the market. It features a swivel and a ball joint which allows the positioning of components in nearly every angle. The clamping mechanism is robust and keeps the components in place.

The WSL KG clamp can replace several traditional clamps and arms that are necessary to achieve the same angle then a single WSL KG. The new clamp is therefore ideal for compact and complex EOAT applications. If it comes to weight savings, the WSL KG can replace sever components in an End of Arm Tools.

Visit our homepage:  
[www.ass-automation.com](http://www.ass-automation.com)



WSL KG / Long Angle Clamp with swivel and ball joint



- allows to position components in three dimensions
- allows positioning of components in nearly every angle
- universal clamp
- keeps components in place
- ideal for compact and complex EOAT applications

Part No.	Description	A [mm]	B [mm]	C [mm]	D [mm]	E [mm]	Swivel Area Ball Joint G [°]	Swivel Area [°]	Material	Weight [g]
1-106-53-00	WSL KG X 10	10	20	32,5	50	12	0 - 13	+/- 90	Aluminium	60
1-106-56-00	WSL KG X 14	14	25	38,5	60	15	0 - 17	+/- 90	Aluminium	125
1-106-59-00	WSL KG JU 20	20	35	50	82	20	0 - 19	+/- 90	Aluminium	305



To meet the highest level of quality, we build our components according to the EC machinery specifications. Each active product comes with an installation manual and/or a certificate of compliance.