

New

ASS
Automations-Systeme



GFV U / Gripper arm, spring comp., lock against rotation

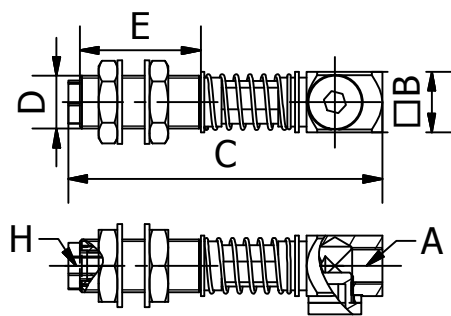
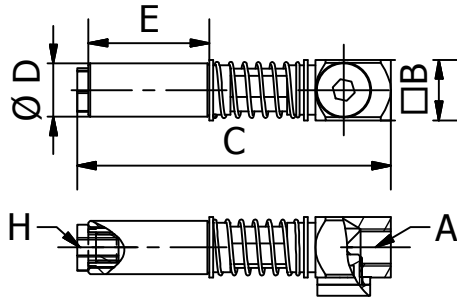
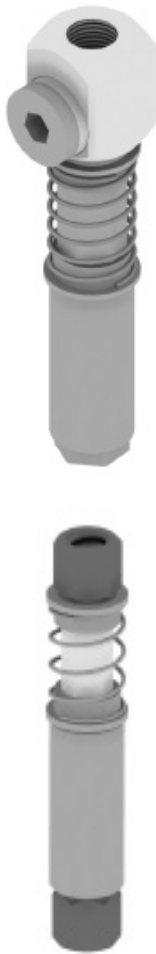
Gripper arm for oval suction cups.

Suction hose optionally can be mounted laterally or end ported.

Visit our homepage:
www.ass-automation.com



GFV U / Gripper arm, spring compensated, lock against rotation



Remarks:

Gripper arm for oval suction cups.

Suction hose optionally can be mounted laterally or end ported.

Exception:
GFV U 10 (both variants) only for lateral mounting (as shown on lower image)

Part No.	Description	A [mm] ["]	B [mm]	C [mm]	D [mm]	E [mm]	H [mm] ["]	Spring travel [mm]	Material	Weight [g]
1-357-03-00	GFV U 10-M5-M5-10	M5	10	59	10	25	M5	10	Al/St/CuZn	25
1-357-06-00	GFV U M10-M5-M5-10	M5	10	59	M10x1	25	M5	10	Al/St/CuZn	33
1-357-09-00	GFV U 14-1-8-1-8-15	1/8	16	83	14	32	M5	15	Al/CuZn	55
1-357-12-00	GFV U M14-1-8-1-8-15	1/8	16	83	M14x1	32	M5	15	Al/CuZn	72
1-357-15-00	GFV U 20-1-4-1-8-20	1/4	20	121	20	55	G1/8	20	Al/CuZn	134
1-357-21-00	GFV U M20-1-4-1-8-20	1/4	20	121	M20x1,5	55	G1/8	20	Al/CuZn	175

To meet the highest level of quality, we build our components according to the EC machinery specifications. Each active product comes with an installation manual and/or a certificate of compliance.

